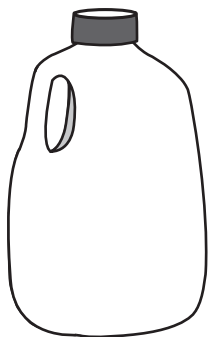
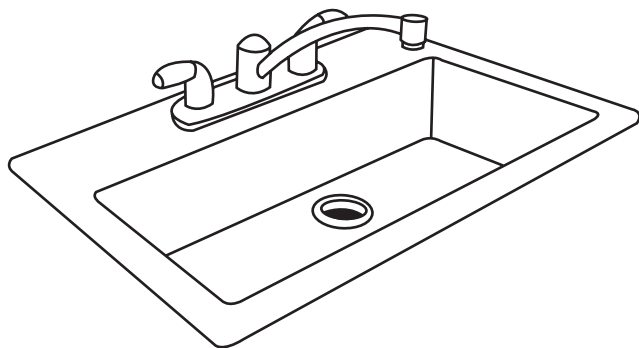


1. Which unit is best to measure the capacity of a milk bottle?



- (A) spoons
- (B) forks
- (C) cups
- (D) pails

2. Which unit is best to measure the capacity of a sink?



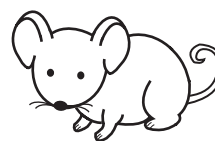
- (A) milliliters
- (B) liters
- (C) inches
- (D) grams

3. Which unit is best to measure the weight of a crayon?



- (A) paper clips
- (B) books
- (C) cups
- (D) bricks

4. Which unit is best to measure the weight of a mouse?



- (A) milliliters
- (B) ounces
- (C) kilograms
- (D) tons

5. Which unit is the smallest?

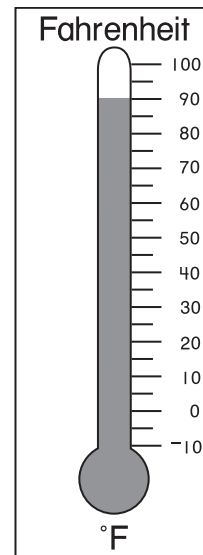
- (A) pints
- (B) gallons
- (C) quarts
- (D) cups

6. Which is equal to 1 pint?

- (A) 2 cups
- (B) 2 pints
- (C) 2 gallons
- (D) 2 quarts

7. What kind of weather does the thermometer show?

- (A) cold
- (B) hot
- (C) snowy
- (D) cool



8. Sara put 12 cubes in two bags. She put more cubes in Bag B than in Bag A. She balanced the pans by adding 2 cubes to the side with Bag A. How many cubes were in Bag B?

- (A) 2 cubes
- (B) 5 cubes
- (C) 7 cubes
- (D) 12 cubes

