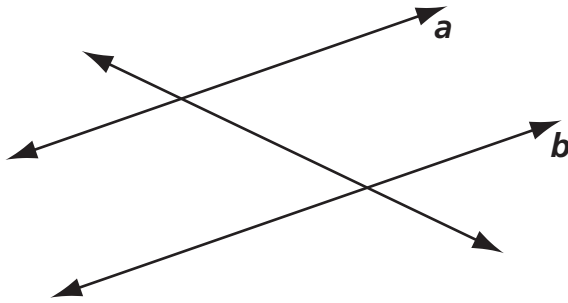


# Angles Formed by a Line Intersecting Parallel Lines

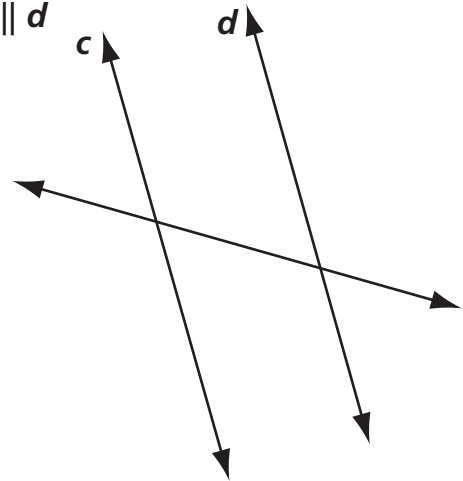
NCTM Standards 1, 3, 4, 7, 8, 9

Trace over a Z in each group of intersecting lines.

1  $a \parallel b$

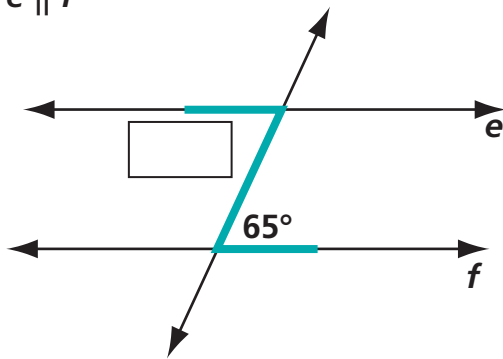


2  $c \parallel d$

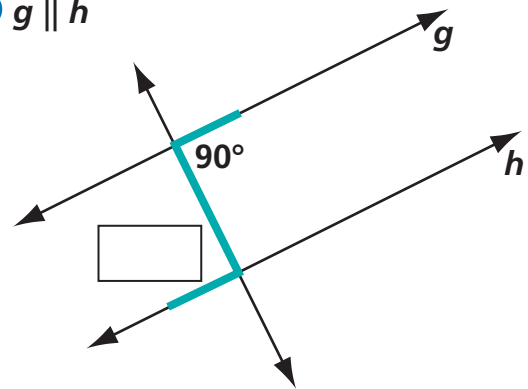


Use the Zs to figure out the missing angle measures.

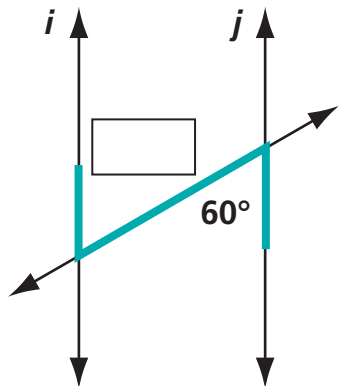
3  $e \parallel f$



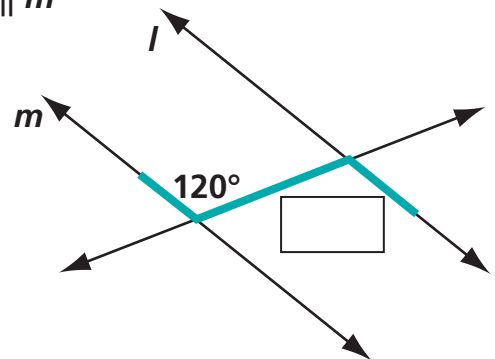
4  $g \parallel h$



5  $i \parallel j$

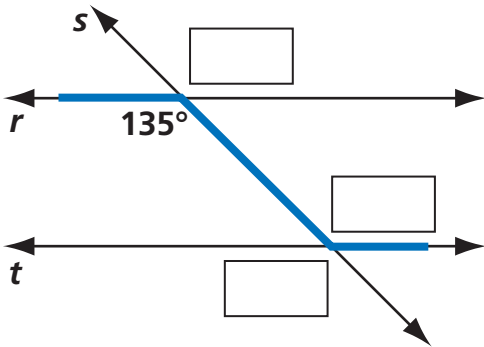


6  $l \parallel m$

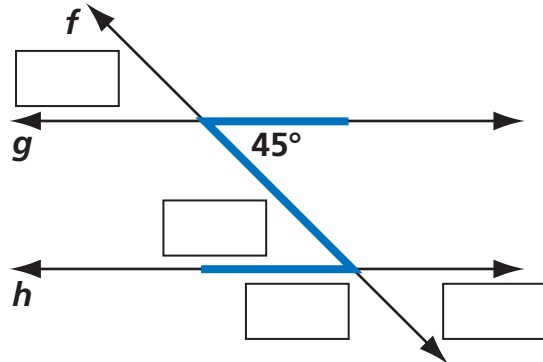


Without a protractor, use your knowledge about Zs, straight angles, and opposite angles to figure out the missing angle measures.

7  $r \parallel t$

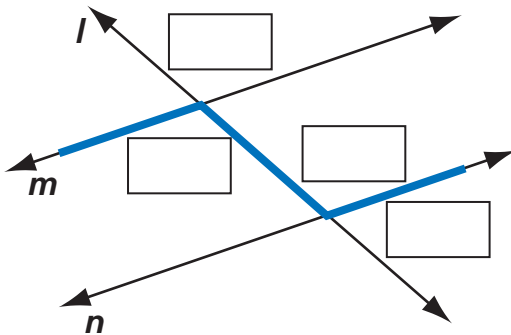


8  $g \parallel h$

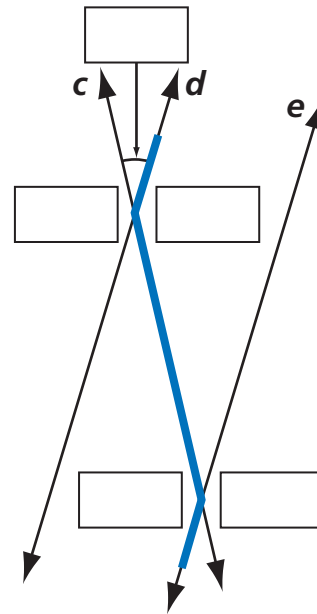


Use a protractor to measure at least one angle. See how few you need to measure!

9  $m \parallel n$



10  $d \parallel e$



11 **Challenge** Explain how you would use this picture to show why angles in Zs have the same measure.

---



---



---



---

