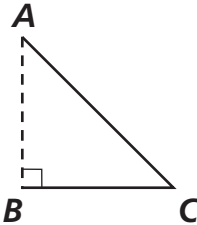


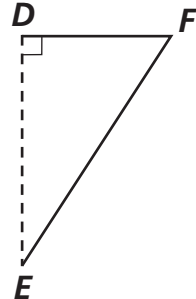
Area of Triangles and Trapezoids

Find the area and perimeter of each figure using the (approximate) measures given.

1 

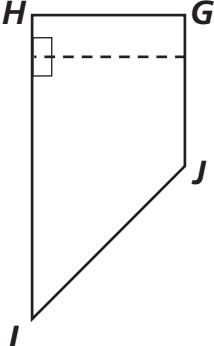
Base \overline{BC} 2 cm
 Height 2 cm
 Side \overline{AB} 2 cm
 Side \overline{AC} 3 cm

Area _____
 Perimeter _____

2 

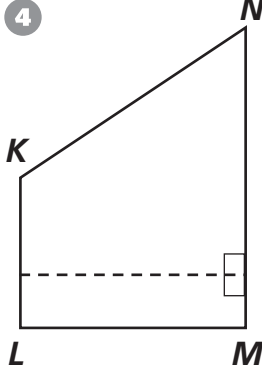
Base \overline{DF} 2 cm
 Height 3 cm
 Side \overline{DE} 3 cm
 Side \overline{EF} 4 cm

Area _____
 Perimeter _____

3 

Base \overline{GJ} 2 cm
 Base \overline{HI} 4 cm
 Height 2 cm
 Side \overline{GH} 2 cm
 Side \overline{JI} 3 cm

Area _____
 Perimeter _____

4 

Base \overline{KL} 2 cm
 Base \overline{MN} 4 cm
 Height 3 cm
 Side \overline{KN} 4 cm
 Side \overline{LM} 3 cm

Area _____
 Perimeter _____



Test Prep

5 Mr. Howe's rectangular garden has an area of 24 square feet. One of these could NOT be the length of the fence around the garden. Circle it. Explain how you know.

16 feet

20 feet

22 feet

28 feet
