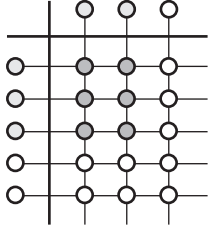
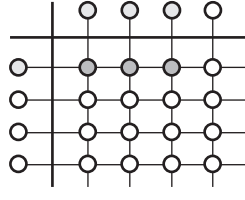


Using Other Models to Multiply Fractions

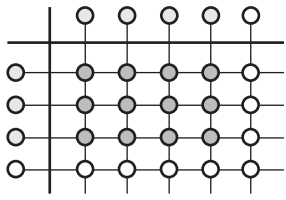
Use the dot sketches to complete the sentences.

1 

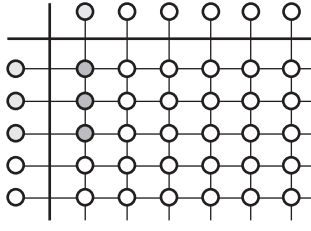
$\frac{2}{3} \times \frac{3}{5} = \square$

2 

$\frac{3}{4} \times \frac{1}{4} = \square$

3 

$\frac{4}{5} \times \frac{3}{4} = \square$

4 

$\frac{1}{6} \times \frac{3}{5} = \square$

5 $\frac{2}{3} + \frac{3}{5} = \square + \square = \square$

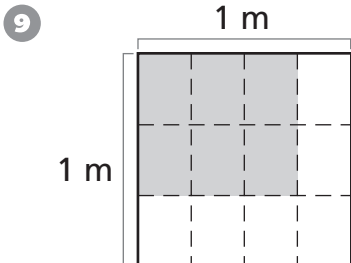
6 $\frac{4}{5} + \frac{3}{4} = \square + \square = \square$

7 $\frac{3}{4} + \frac{1}{4} = \square$

8 $\frac{1}{6} + \frac{3}{5} = \square + \square = \square$



Test Prep



1 square meter has been divided into 12 equal parts as shown. Which of the following is NOT equal to the area of the shaded rectangle?

- A. $\frac{1}{2}$ sq m
- B. $\frac{3}{4}$ m \times $\frac{2}{3}$ sq m
- C. $\frac{17}{12}$ sq m
- D. $\frac{6}{12}$ sq m